



RAJKOT DIESEL MACHINES

ENGINE/PUMP CONTROL PANEL

MODEL : RDMMPC20C21512
#202019



	DESCRIPTION		QTY
01	MPC-20	RDM40700504	01
02	CIRCUIT BREAKER	RDMXDL-XB1-25A	01
03	EMERGENCY STOP SWITCH	RDMXB5AS8445	01
04	ON/OFF KEY SWITCH	RMSW-3A	01
05	5 PINS CONNECTOR	RDMYM20CO5SX	01
06	12 PINS CONNECTOR	RDMYM20CO12SX	01
07	21 PINS ECU CONNECTOR	RDMYM20CO21SX	01
08	I/O HARNESS	RDMYM20J12PE	01
09	IP 68 PANEL BOX (239x202x85)	RDMGW76285	01
10	RUBBER MOUNT	RDMRM8MM	04

OPTIONAL ITEMS



WIFI/GSM/GPRS/GPS



ACTUTOR



FUEL



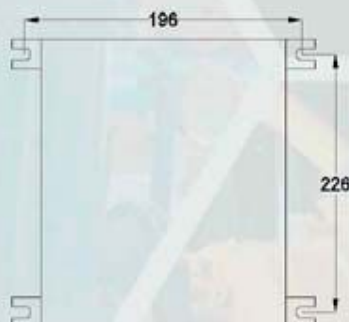
HARNESS



MPU



SENSOR



FLOW



TANK LEVEL



PRESSURE

MPC-20

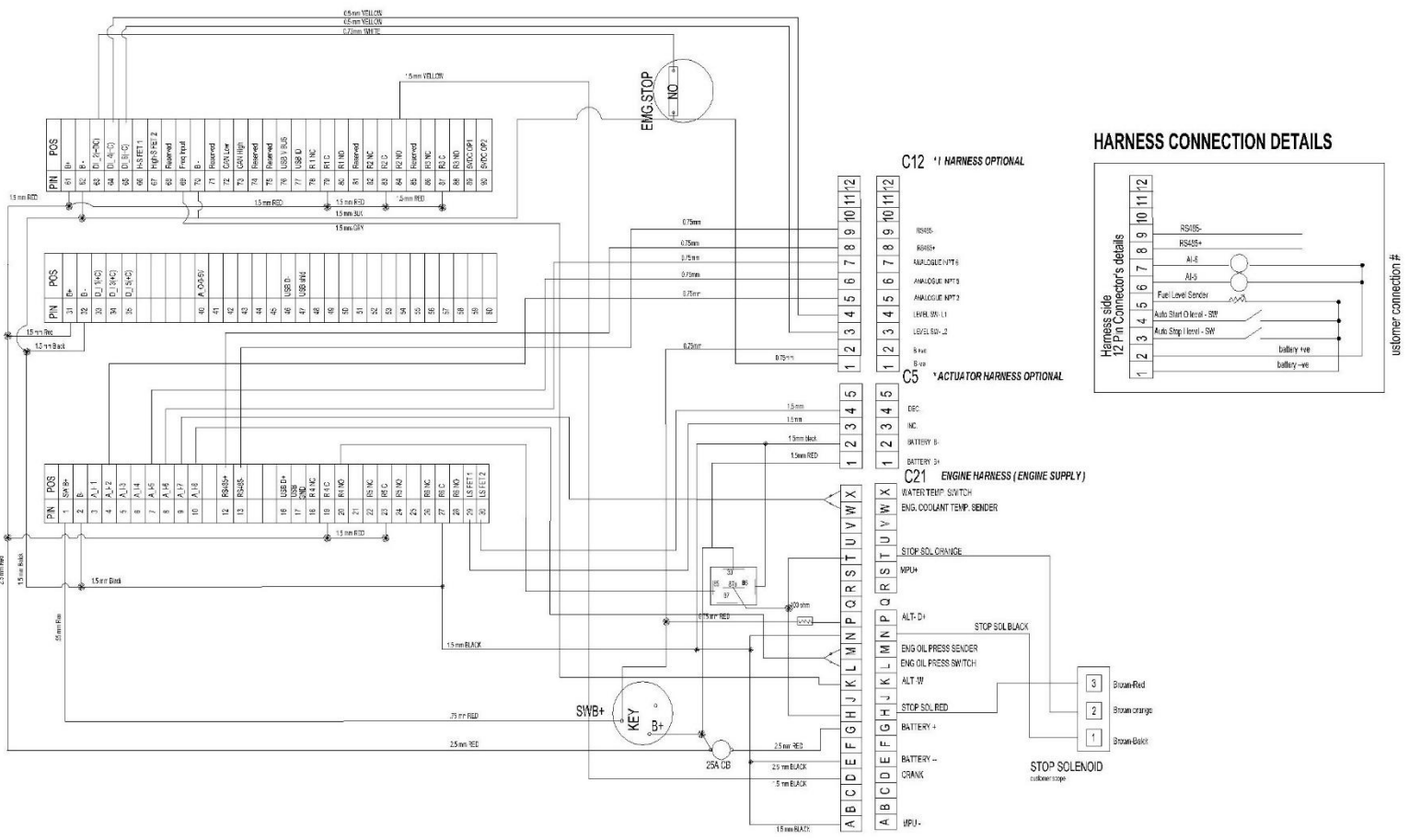
Specifications

- **Display:** 3.8" [97mm] QVGA [320x240 pixels] Monochrome Transflective LCD With White LED Backlight and heater
 - **Keypad:** 11 Tactile Feedback Buttons
 - **LED:** (1) Red, Shutdown, (1) Amber, Warning, (1) Green, Auto
 - **Inputs:**
 - (14) User defined
 - (8) Analog, Configurable as Resistive, 0-5VDC, 4-20mA or Digital Ground
 - (6) Digital, Configurable as Battery or Ground
 - (1) Frequency, (2 Hz - 10 K Hz, 3.6 VAC-120 VAC)
 - **Outputs:**
 - (13) User defined
 - (2) 1A Max Low-side
 - (2) 2A Max High-side
 - (2) 200mA Max 5 VDC
 - (1) 0-5 VDC Analog
 - (6) 10 a Max Form C Relays
 - **Communications:**
 - (1) CAN 2.0B, 250 kbps, J1939
 - (1) RS485, MODBUS RTU
 - (1) USB, Programming
- Power Input: 8-32 VDC, Reverse Polarity & Load Dump Protection.



RDMMP20C2152 Wiring Panel

RDMPC20



HARNESS CONNECTION DETAILS

